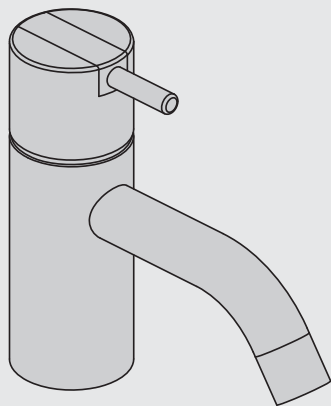
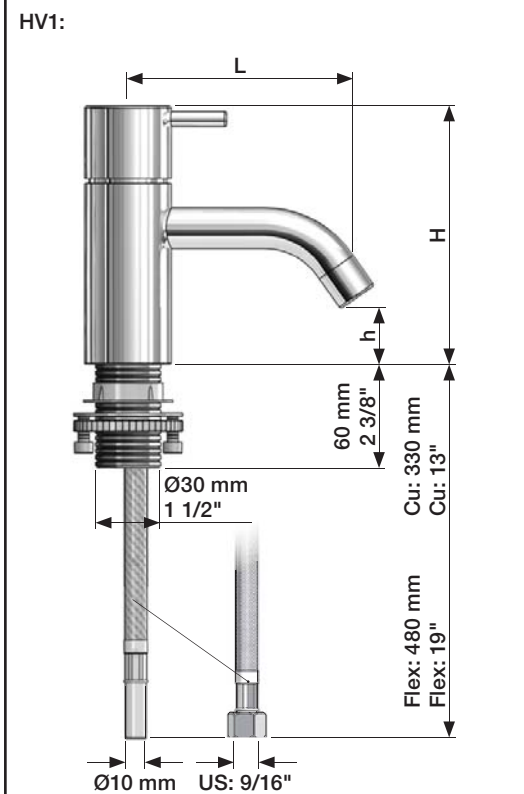


**VOLA HV1, HV3, HV4**

Fitting instruction  
 Montageanleitung  
 Monteringsvejledning  
 Monteringsvægledning  
 Montage hanleiding  
 Manuel de montage



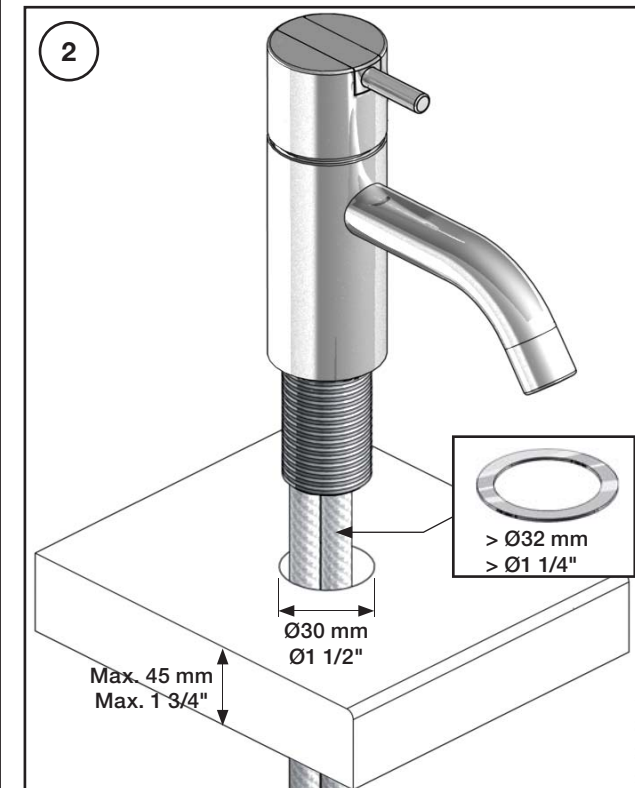
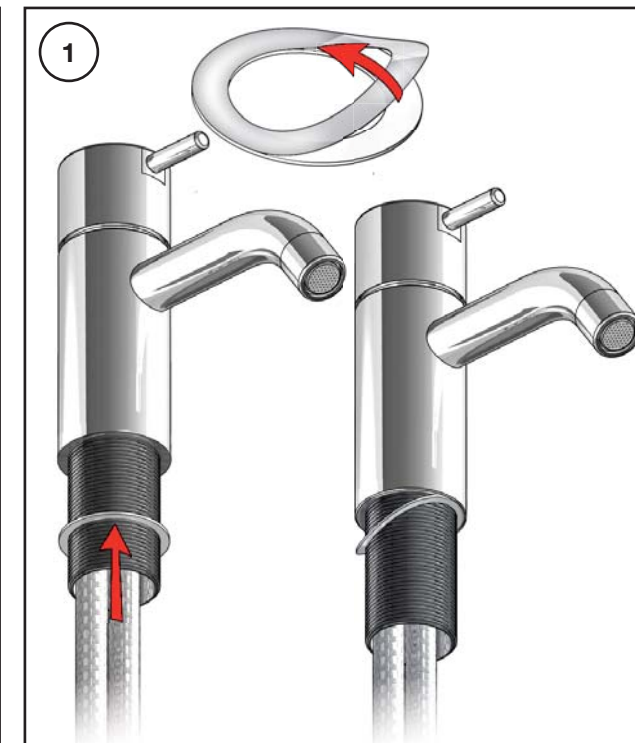
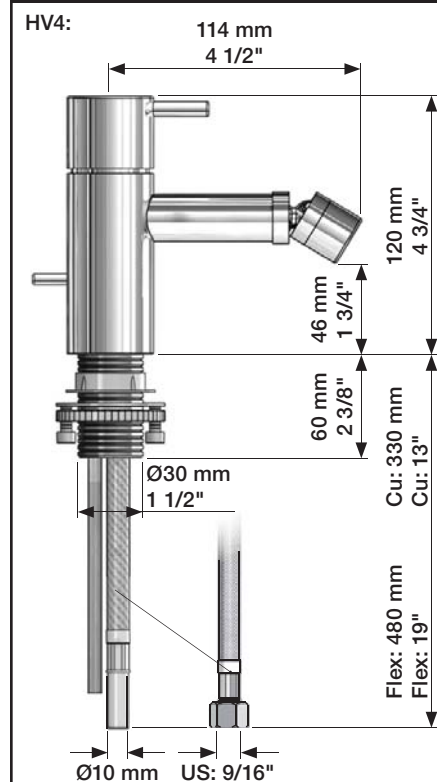
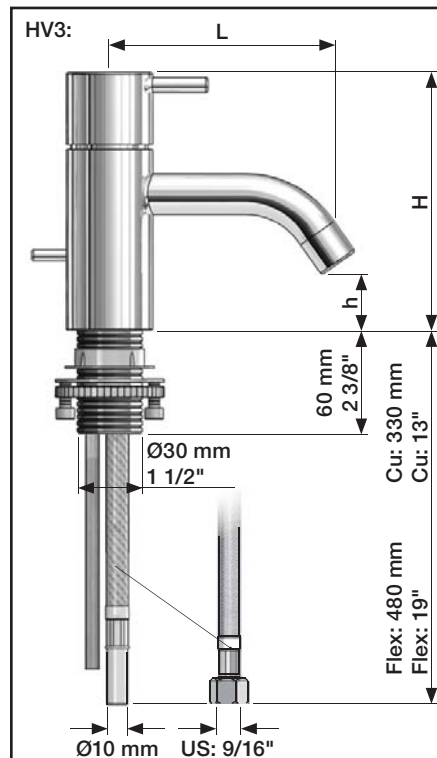
HV1, HV3	L	H	h
Std.:	114 mm 4 1/2"	120 mm 4 3/4"	27 mm 1"
+30:	114 mm 4 1/2"	150 mm 6"	56 mm 2 1/4"
/150:	150 mm 6"	120 mm 4 3/4"	27 mm 1"
+30/150:	150 mm 6"	150 mm 6"	56 mm 2 1/4"
+170:	114 mm 4 1/2"	290 mm 11 1/2"	197 mm 7 3/4"
+170/150:	150 mm 6"	290 mm 11 1/2"	197 mm 7 3/4"



**Data, 3 Bar:**

Max.	l/min.	Gal/min.
HV1/3:	5,0	1,3
HV4	9,0	2,0

Max. 70°C, 158°F



VA 1.42/18866, VA 1.42/18867

